

Parts Manual for
SNAPPER®

**22" VARIABLE SPEED
WALK BEHIND MOWERS**



MODEL
NSPV22675HW (7800230)
SPV22675HW (7800190)

Briggs & Stratton Yard Power Products Group

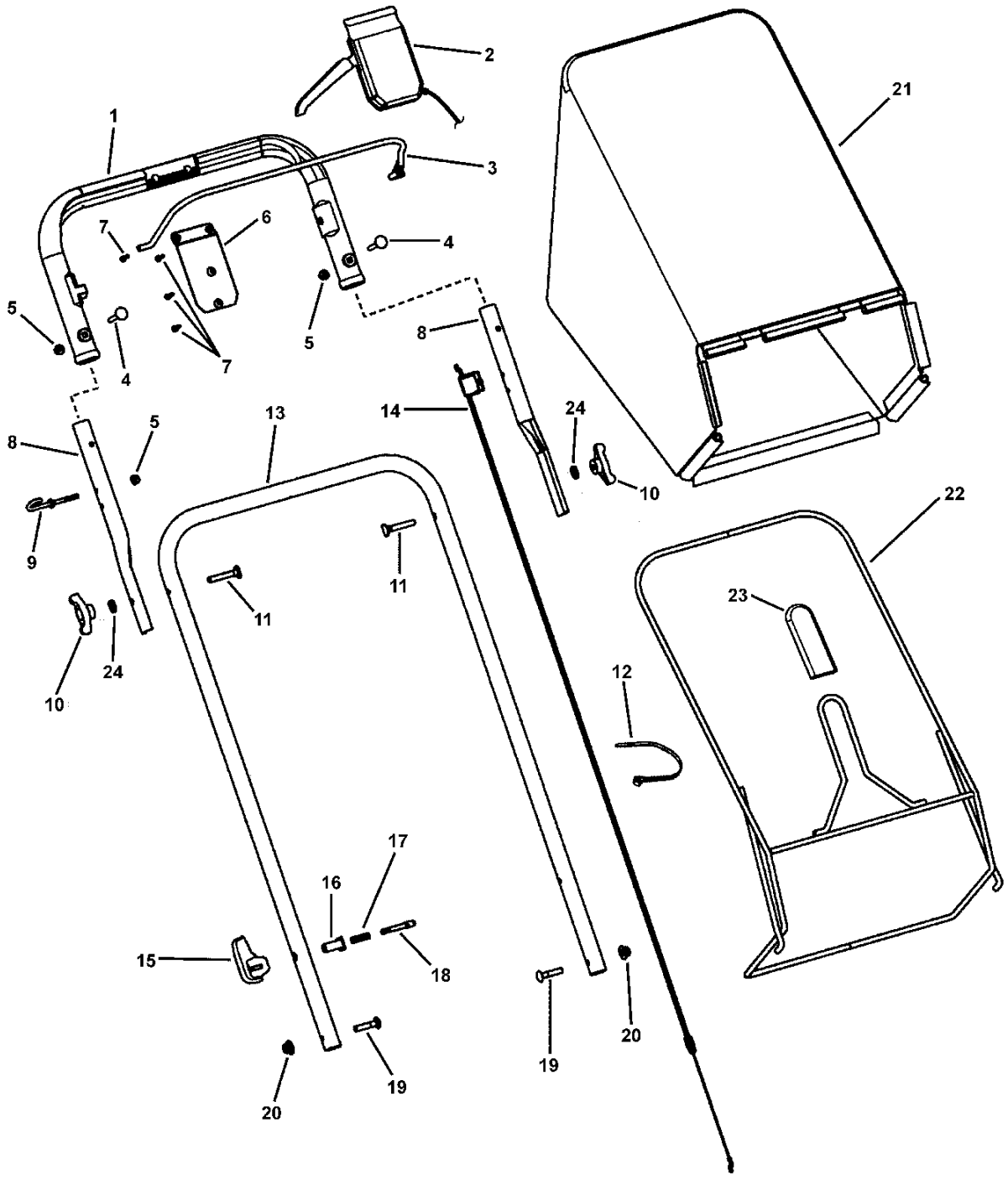
535 Macon Road
McDonough, GA, 30253 U.S.A.
800-935-2967

Revision D, 4/11/2008

Manual No. 7102345

TP 400-5323-D-WB-N

PAGE	GROUP
4	Handles and Controls (SPV22)
6	Deck Assembly (SPV22)
10	Engine and Blade Assembly (SPV22)
12	Height-of-Cut Assemblies
14	Transmission (22")
16	Decals (22")

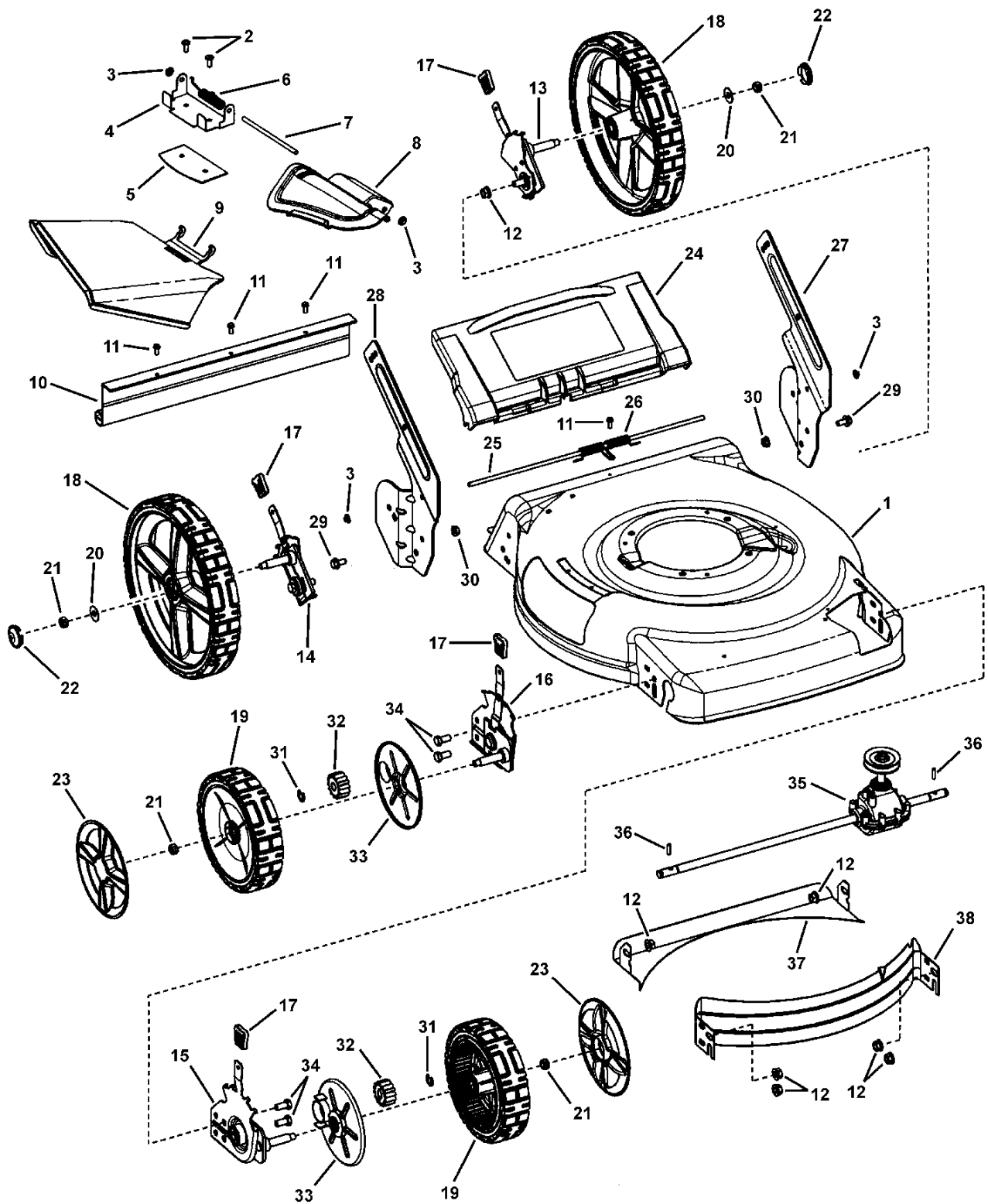


Handles and Controls (SPV22)

Item	Part No	Qty	Description	Note
1	7101312	1	HANDLE, Plastic Upper, WBM	
2	7101415	1	ASSY, Control Head, 22" WBM, VS, HW (incl. cable & handle)	
3	7101321BH	1	BAIL, Plastic Handle, WBM	
4	7090015	2	BOLT, 1/4-20 x 1-3/4" Round Head Square Neck, GR 2	
5	2860694	2	NUT, 1/4-20 Hex Flange Nyloc,YZ	
6	7300670A	1	PLATE, Control Panel- Plastic Handle	
7	7100225	4	SCREW, #8-16 Torxplus Recessed Pan Head, Twin Helix	
8	7300649BH	2	HANDLE, Connecting 21"/22" WBM	
9	7101410	1	ROPE GUIDE (1/4-20 thread)	
10	7035744	2	KNOB, 5/16-18 Wing (Black)	
11	7091189	2	BOLT, 5/16-18 x 2" Curved Head Square Neck, GR 2	
12	7024649	3	WIRE TIE,11 Inch Standard Black Nylon	
13	7300667BH	1	HANDLE, Lower, 22" WBM, Hi-Wheel	
14	7101395	1	CABLE, Bail, 22" WBM	
15	7101202	2	KNOB, Quick Release	
16	7101199	2	BUSHING, Handle Pin	
17	7101200	2	SPRING, Compression	
18	7101198	2	PIN, Handle Adjust	
19	7090958	2	BOLT, 5/16-18X x 1-1/2" Round Head Short Square Neck, GR 5	
20	7090951	2	NUT, 5/16-18 Large Head Center Lock, Black	
21	7101246	1	GRASSBAG, 22" RD	
22	7101230A	1	BAG FRAME, 22" WBM	
23	7026421	1	GRIP, Rectangular (Black)	
24	7090391	2	WASHER, 5/16" Internal Tooth Lock	

Footnotes:

Deck Assembly (SPV22)



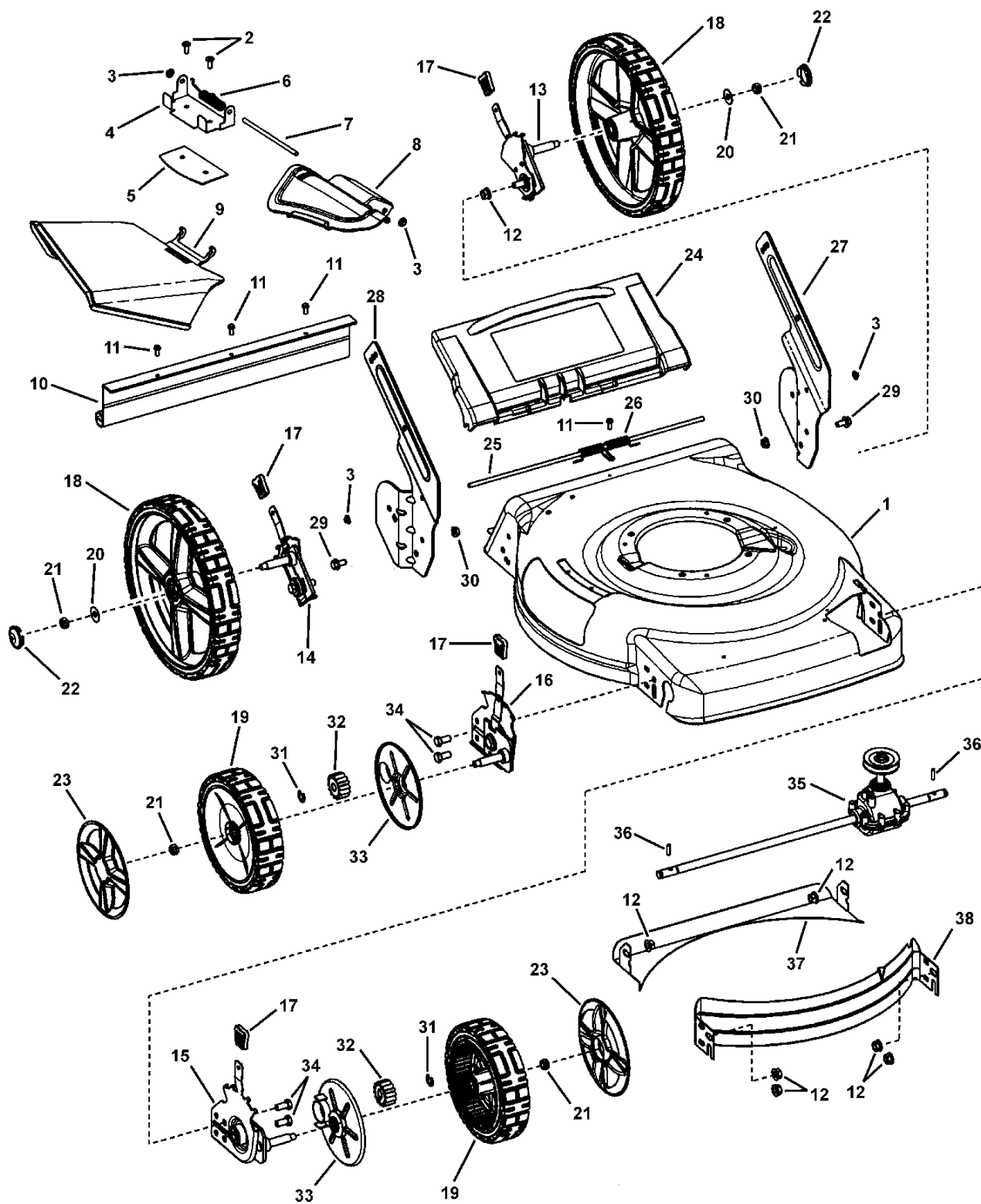
Deck Assembly (SPV22)

Item	Part No	Qty	Description	Note
1	7300400D	1	DECK, 22" Walk, 3-N-1	
2	722848	3	SCREW, 1/4-20 x 11/16" Pan Head Torx, Self-Tap	
3	7091020	4	PUSHNUT, 1/4"	
4	7300855D	1	BRACKET, Chute	
5	7300856D	1	PLATE, Mulch, 22" RB Scotts	
6	722507	1	SPRING, Torsion, Chute	
7	7101067	1	ROD, Pivot	
8	721682	1	COVER, Mulch, Plastic, Black	
9	721681	1	SIDE CHUTE, Plastic, Black	
10	7102422	1	GUARD, Rear	
11	7091286	4	SCREW, #10-24 x 1/2" Hex Washer Self-Tap, SEMS	
12	7091619	6	NUT, 3/8-16 Hex Flange Lock, YZ	
13	7501056	1	* ASSY, HOC, Right Rear, 22" WBM	
14	7501055	1	* ASSY, HOC, Left Rear, 22" WBM	
15	7501058	1	* ASSY, HOC, Left Front, 22" WBM, Propelled	
16	7501057	1	* ASSY, HOC, Right Front, 22" WBM, Propelled	
17	7100633	4	GRIP, Height Latch	
18	7500546	2	ASSY, Wheel, 12 x 2 Idle, BB, Snapper Cool Gray	<i>incl. two 1-1/8" O.D. Flanged Ball Bearings (p/n 7101380)</i>
19	7500542	2	ASSY, Drive Wheel, 8 x 2, BB, Snapper Charcoal Gray	<i>incl. two 1-1/8" O.D. Flanged Ball Bearings (p/n 7101380)</i>
20	722604	4	WASHER, 1" OD x .387 ID, FLAT	
21	7091585	4	NUT, 3/8-16 Hex Center Lock, YZ	
22	7101393	2	HUBCAP, 12" Wheel, Snapper Cool Gray	
23	7101350	2	HUBCAP, 8" & 9" Wheel Spoked- Snapper Cool Gray	
24	7101243	1	DOOR, 22" Rear	
25	7101070	1	ROD, Pivot, Rear Door	
26	7101461	1	SPRING, Torsion, Rear Door, 22" WBM	
27	7300583BH	1	BRACKET, Lower Handle, LH, 22" WBM, HW	
28	7300582BH	1	BRACKET, Lower Handle, RH, 22" WBM, HW	
29	7091811	2	BOLT, 5/16-18 x 5/8" Hex Flange Lock- YZ	
30	7091601	2	NUT, 5/16-18 Hex Flange Lock, GR 5, YZ	
31	7014341	4	RETAINING RING	<i>Waldes #5133-50 or equiv.</i>
32	7101207	2	GEAR, Pinion, 22" WBM, FWD	
33	7101402	2	DUST SHIELD, 22" WBM, FWD	
34	7900054	4	SCREW, 3/8-16 x 3/4" Hex Head Cap, GR 5, YZ	
35	7100857	1	TRANSMISSION, Rocker, 22" WBM HW, VS	
36	7101270	2	PIN, Drive, 22" WBM, FWD	
37	7300854D	1	BAFFLE, Rear, 22" Deck	

Footnotes:

Note: * See Height-of-Cut Assemblies page

Deck Assembly (SPV22)



Deck Assembly (SPV22)

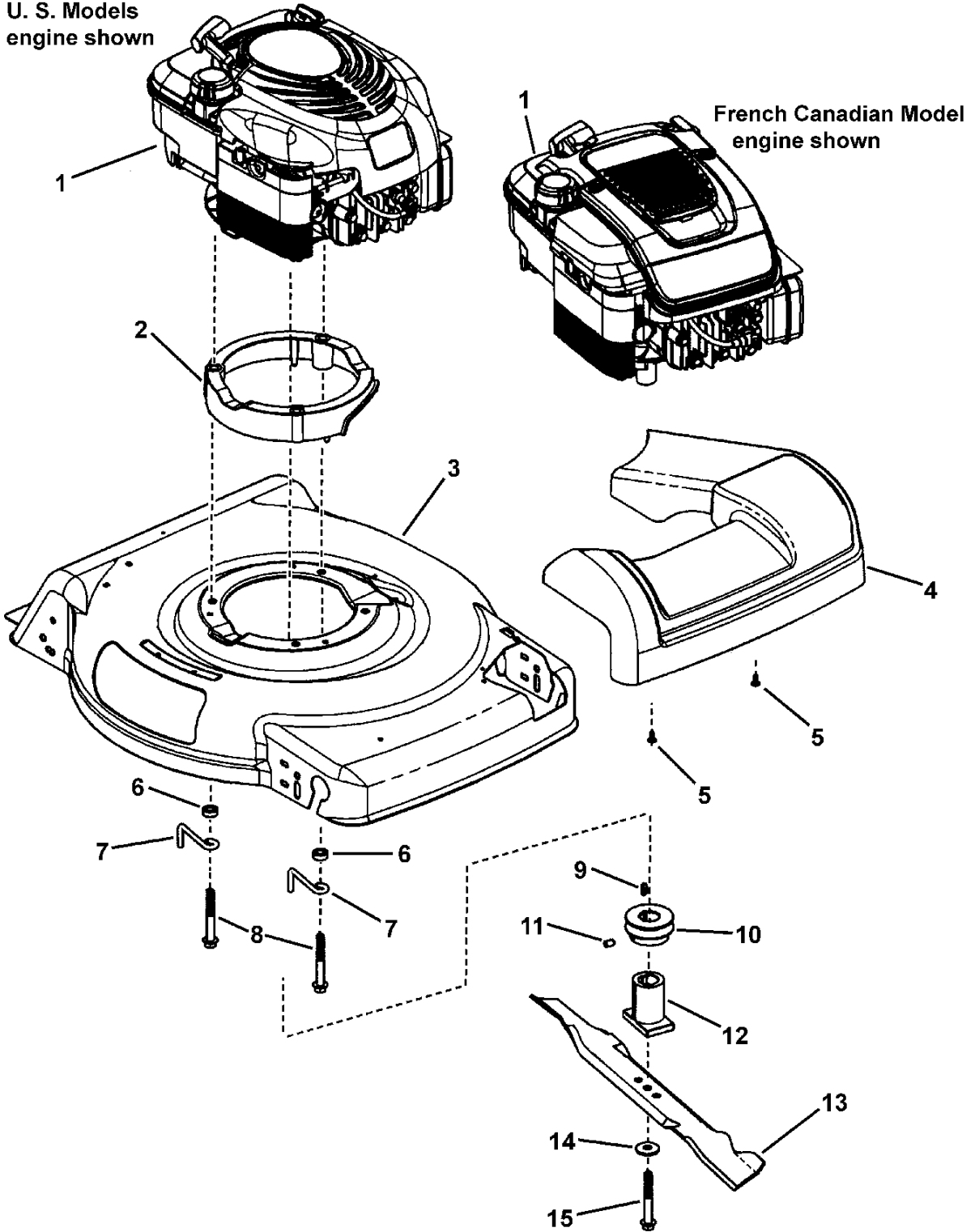
Item	Part No	Qty	Description	Note
38	7300440D	1	BAFFLE, Front, 22" WBM	

Footnotes:

Note: * See Height-of-Cut Assemblies page

Engine and Blade Assembly (SPV22)

U. S. Models
engine shown



French Canadian Model
engine shown

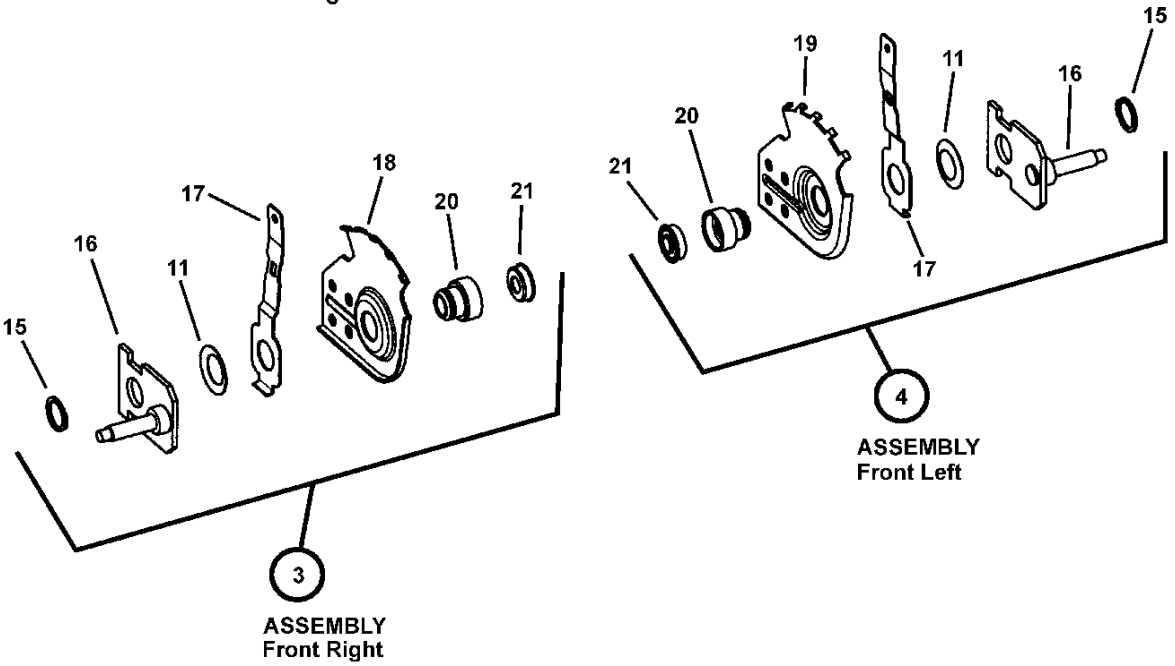
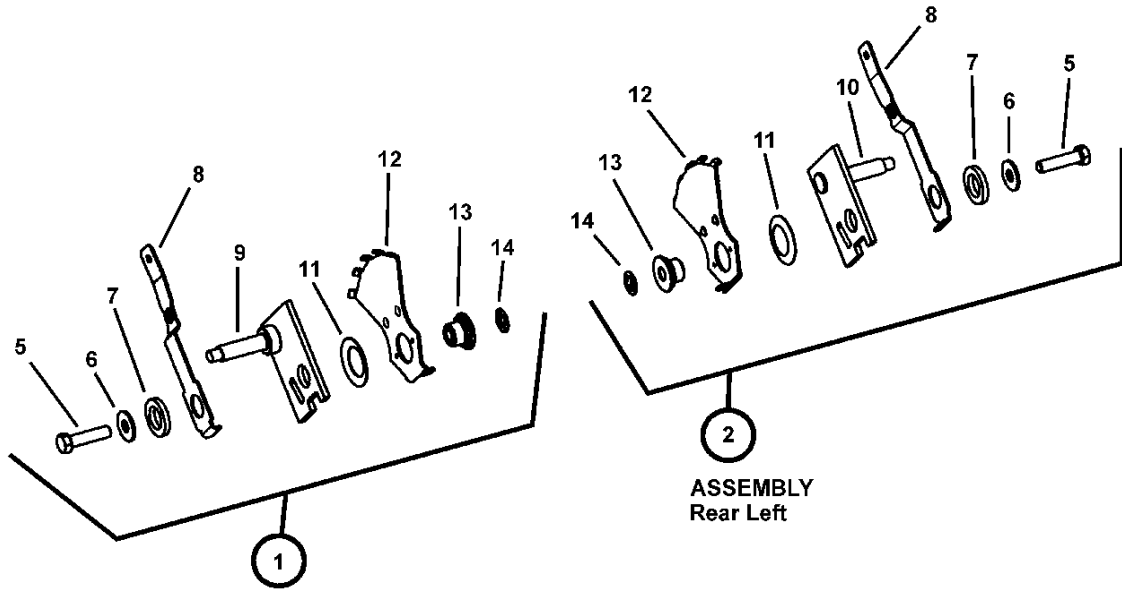
Engine and Blade Assembly (SPV22)

Item	Part No	Qty	Description	Note
1		1	* ENGINE, B&S, 675 Ser, B3, X-Spec (Mod. 126T02-0675-B3)	<i>used on SPV22675HW</i>
1		1	* ENGINE, B&S, 675 Ser, X-Spec, F3 (Mod. 126L02-0675-F3)	<i>used on NSPV22675HW</i>
1		1	* ENGINE, B&S, 675 Ser, X-Spec B1, FC (Mod. 126T02-0177-B1)	<i>used on SPV22675HWFC</i>
2	7101449	1	ASSY, Engine Spacer, 22" WBM, Propelled	<i>(includes 3 bushings, p/n 7101448)</i>
3	7300400D	1	DECK, 22" Walk, 3-N-1	
4	7101195	1	COVER, Front Deck, 22" FWD	
5	7900018	2	SCREW, 4.8 x 1.59 x 13mm Hi-Lo, Round Washer Head Torx	
6	7101302	2	SPACER, Belt Guide, 22" VS	
7	7101024	2	BELT GUIDE, Engine, 22" VS	
8	7101451	2	SCREW, 3/8-16 x 3" Hex Washer Self-Tap	
9	7091214	1	KEY, #HP-506 Hi-Pro	
10	7100437	1	PULLEY, Engine	
11	7092086	1	SET SCREW, 5/16-18 x 1/2" Hex Recess	
12	7100740	1	BLADE HUB, 22" Deck	
14	721890	1	WASHER, .38" ID x 1.183 OD Bellville	
15	720351	1	BOLT, 3/8-16 NS x 2-1/2" Hex Head	
16	094696	2	SCREW, #8-18 x 1-1/4" Pan Head Thread Forming	
17	794552	1	SHROUD, Engine, Snapper Waterfall	

Footnotes:

NOTE: * Purchase engine parts from engine manufacturer dealer.

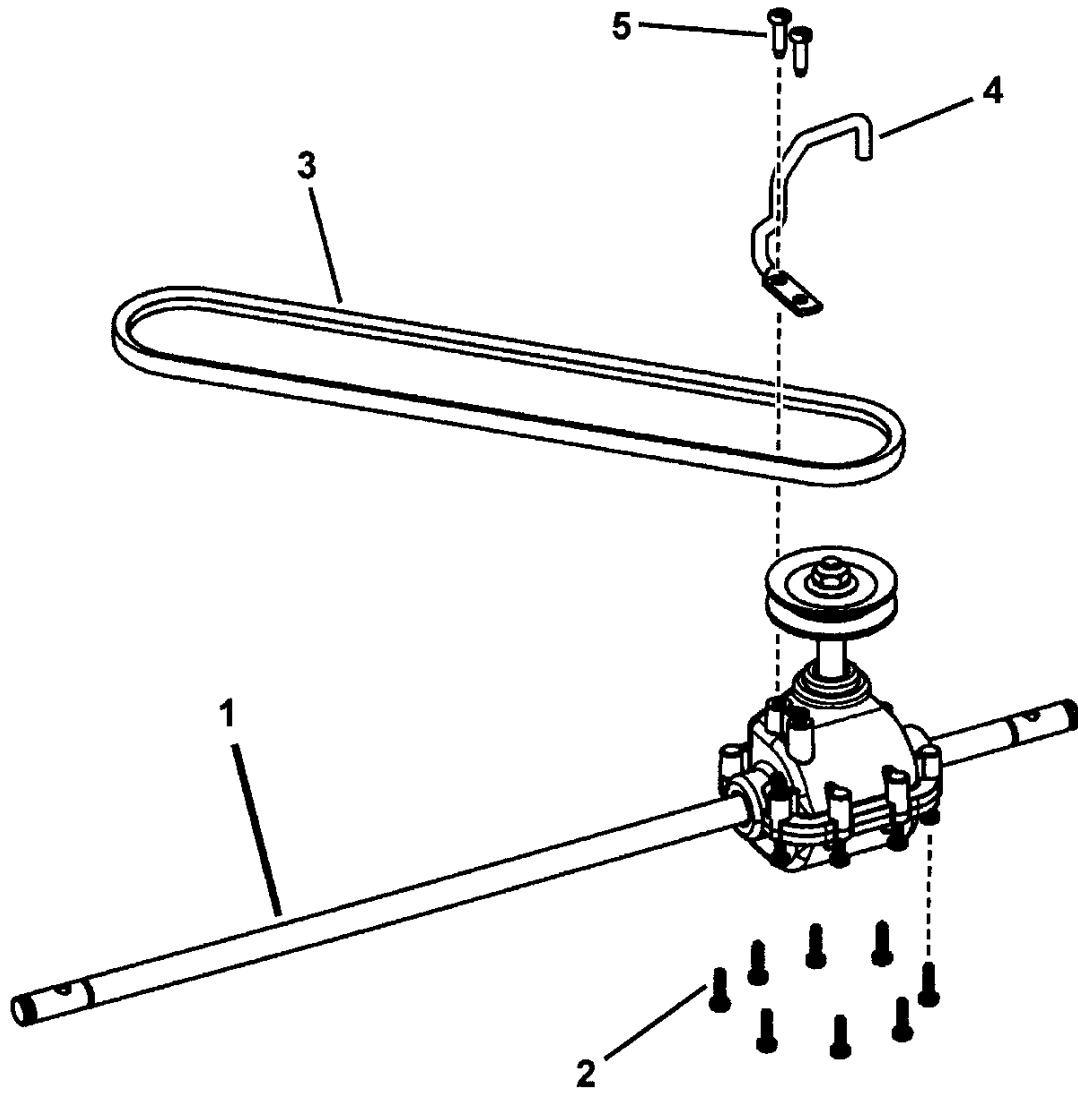
Height-of-Cut Assemblies



Height-of-Cut Assemblies

Item	Part No	Qty	Description	Note
1	7501056	1	ASSY, HOC, Right Rear, 22" WBM	
2	7501055	1	ASSY, HOC, Left Rear, 22" WBM	
3	7501057	1	ASSY, HOC, Right Front, 22" WBM, Propelled	
4	7501058	1	ASSY, HOC, Left Front, 22" WBM, Propelled	
5	7091497	2	SCREW, 3/8-16 x 1-1/2" Hex Head Cap, GR 5, YZ	
6	7900047	2	WASHER, .391 x 1 x 14 Gage Flat	
7	7900046	2	WASHER, .76 x 1.25 x .180 Flat	
8	7101205	2	LEVER, HOC, 22" WBM	
9	7500409	1	ASSY, Rear Axle, RH 22" WBM	
10	7500408	1	ASSY, Rear Axle, LH 22" WBM	
11	722611	4	WASHER, 1 ID x 1.64 OD Bellville	
12	7300529	1	PLATE, Index, HOC, Rear	
13	721899	2	SPACER, Height Adjust	
14	7013847	2	RETAINER, 3/8" Bolt	
15	720118	2	RETAINING RING, .906 ID x .078 Thick	
16	7500404	2	ASSY, Front Axle 22", Propelled	
17	7101212	2	LEVER, HOC, 22" WBM	
18	7300528	1	PLATE, HOC, Front Right, 22" WBM	
19	7300527	1	PLATE, HOC, Front Left, 22" WBM	
20	720685	2	RETAINER, Bearing	
21	720761	2	BALL BEARING	

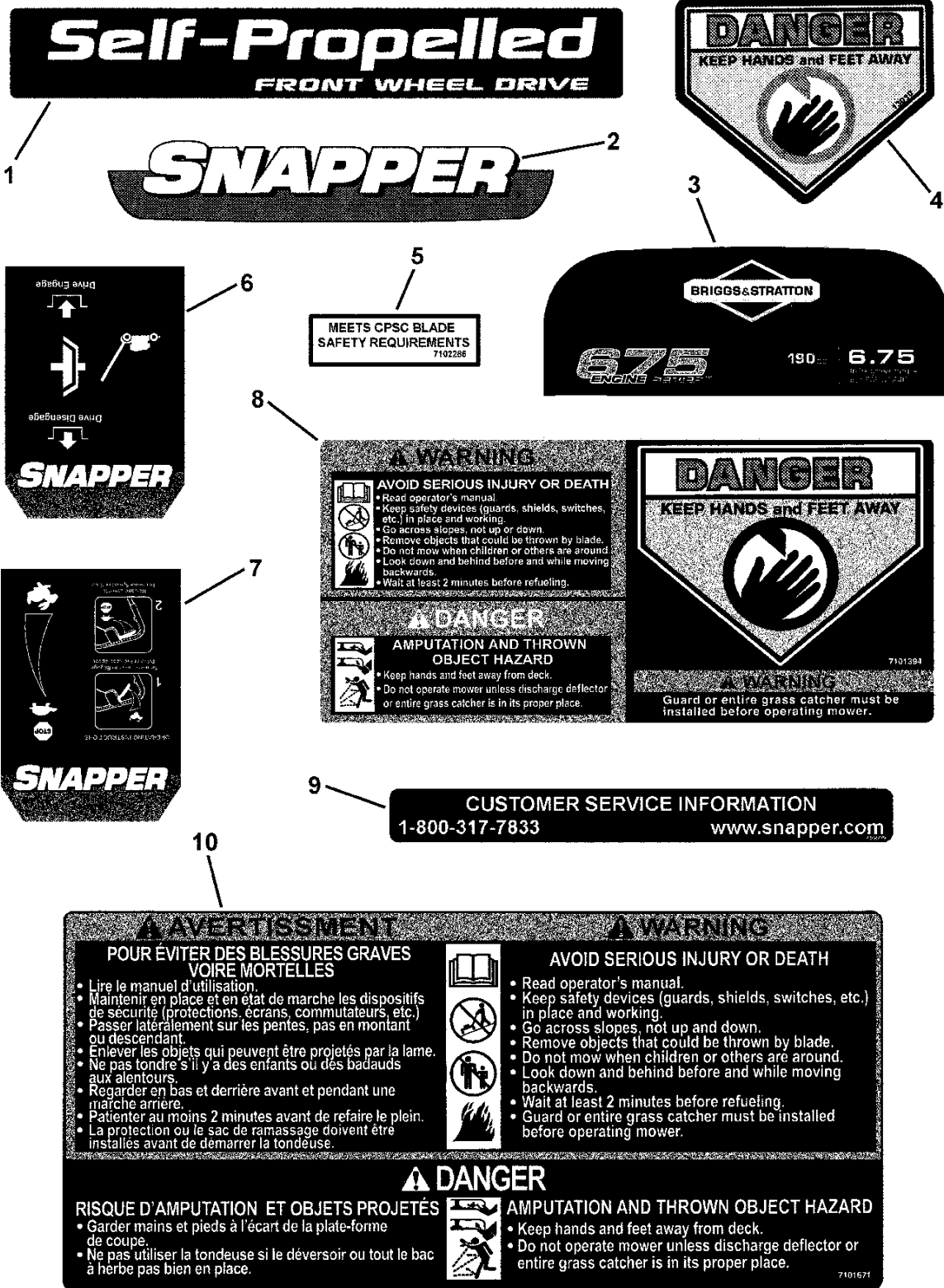
Footnotes:



Transmission (22")

Item	Part No	Qty	Description	Note
1	7100857	1	TRANSMISSION, Rocker, 22" WBM HW, VS	
2	7900032	8	SCREW, 7mm x 1 x .550 AB Point	
3	7100913	1	BELT, Traction Drive, 22" Pivot Handle	<i>3L Section; 31.94 effective length</i>
4	7101009	1	BELT GUIDE, Transmission, 22" WBM	
5	7091195	2	SCREW, #10-16 x 3/4" Pan Head Self-Tap, Combo	

Footnotes:



Decals (22")

Item	Part No	Qty	Description	Note
1	7101538	1	DECAL, Front Cover, 22" Snapper, FWD	
2	7102153	1	DECAL, Briggs Engine, Snapper	
3	7102151	1	DECAL, Briggs Engine, 675 Series	
3	7102172	1	DECAL, Engine, TP, 675, Snapper, FC (not shown)	<i>similar in appearance to 7102151</i>
4	7013010	1	DECAL, Danger, Cut Finger	
5	7102286	1	DECAL, CPSC Blade	
6	7101429	1	DECAL, Control Head, VS, Snapper, FC	
7	7101536	1	DECAL, Control Head, VS, Snapper	
8	7101394	1	DECAL, Warning, Rear Discharge Door	
9	7102275	1	DECAL, Customer Service	
10	7101671	1	DECAL, WB Safety, French/English	

Footnotes:

Parts Manual for

SNAPPER®

22" VARIABLE SPEED WALK BEHIND MOWERS

IT IS THE POLICY OF BRIGGS & STRATTON CORP TO IMPROVE ITS PRODUCTS WHENEVER IT IS POSSIBLE AND PRACTICAL TO DO SO. WE RESERVE THE RIGHT TO MAKE CHANGES OR ADD IMPROVEMENTS AT ANY TIME WITHOUT INCURRING ANY OBLIGATION TO MAKE SUCH CHANGES ON PRODUCTS

Briggs & Stratton Yard Power Products Group

535 Macon Road
McDonough, GA, 30253 U.S.A.
800-935-2967

www.snapper.com

Copyright © 2008 Briggs & Stratton Corporation
Milwaukee, WI USA. All Rights Reserved

Manual No. 7102345
Revision D, 4/11/2008
TP 400-5323-D-WB-N